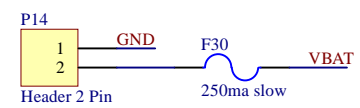
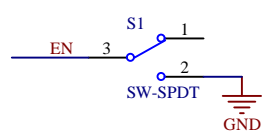
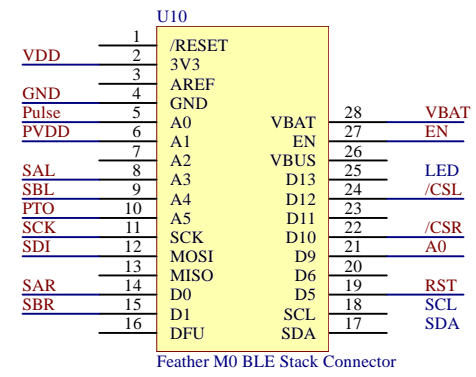


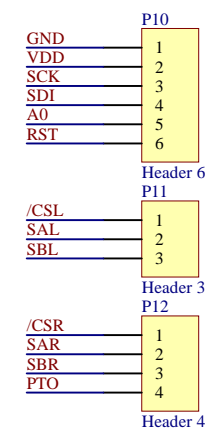
Pulse Sensor



JST Connector tail for Battery - Watch Polarity

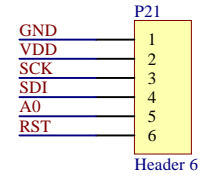
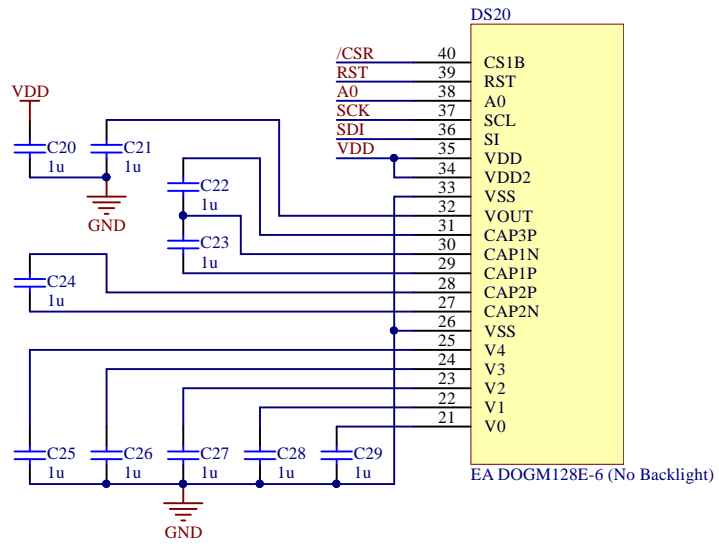
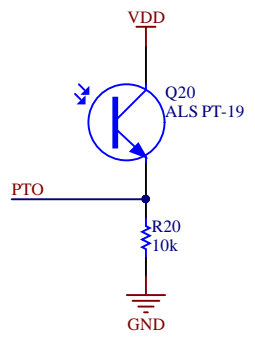
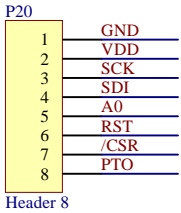


IO Assignment changes from Breadboard:  
 PVDD Moved  
 A1-4 Removed



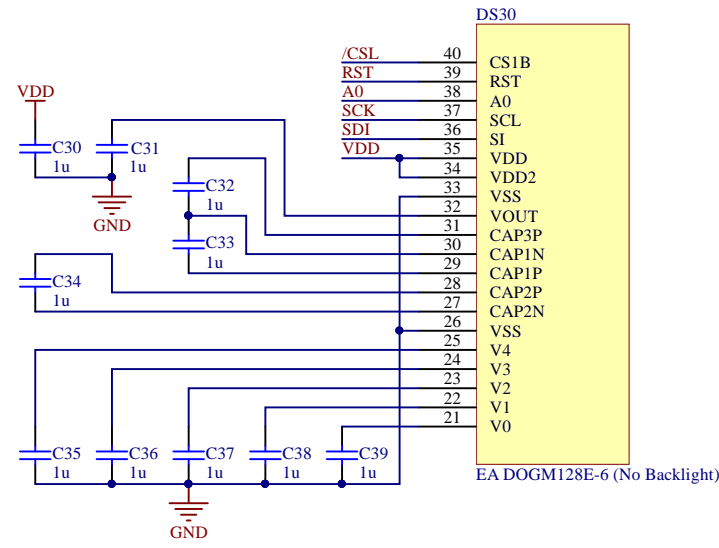
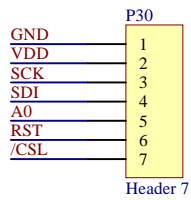
This work is licensed under the Creative Commons Attribution-ShareAlike 4.0 International License. To view a copy of this license, visit <http://creativecommons.org/licenses/by-sa/4.0/>.

Title: <b>Right Side PCB</b>	
Project: <b>EmotiGlass Prototype</b>	Rev: 1.1
Designed By: David Prutchi, Jason Meyers	Date: 20181007
File: right side.SchDoc	Size: A
	Sheet 1 of 4



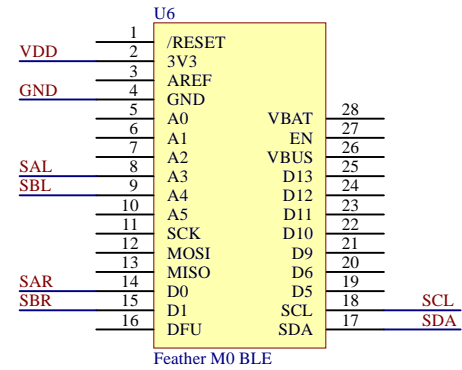
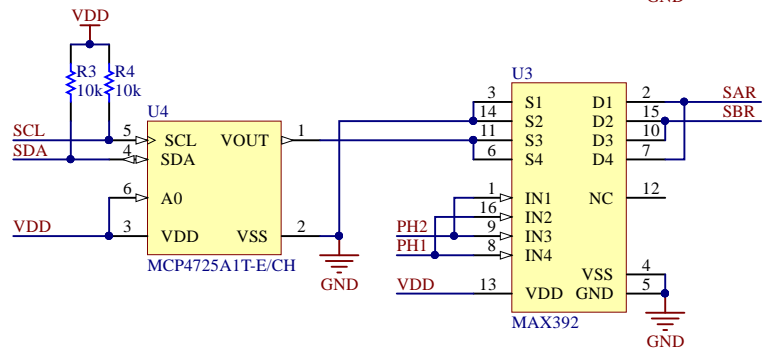
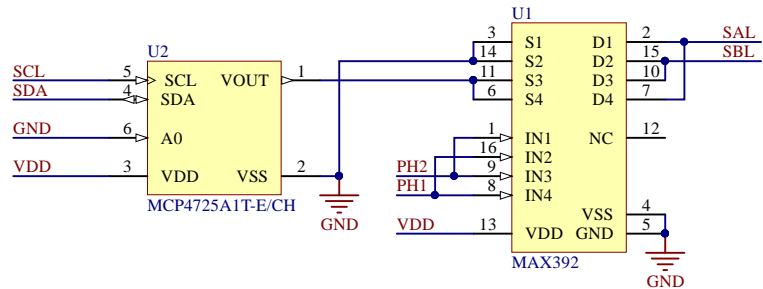
This work is licensed under the Creative Commons Attribution-ShareAlike 4.0 International License. To view a copy of this license, visit <http://creativecommons.org/licenses/by-sa/4.0/>.

Title: <b>Right Front PCB</b>	
Project: <b>EmotiGlass Prototype</b>	Rev: 1.1
Designed By: David Prutchi, Jason Meyers	Date: 20181007
File: right front.SchDoc	Size: A
	Sheet 2 of 4

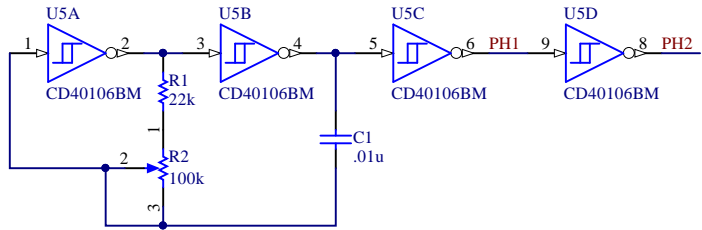


This work is licensed under the Creative Commons Attribution-ShareAlike 4.0 International License. To view a copy of this license, visit <http://creativecommons.org/licenses/by-sa/4.0/>.

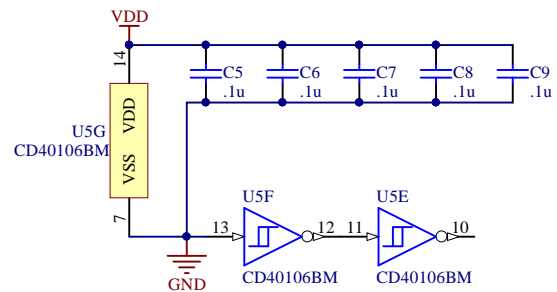
Title: <b>Left Front PCB</b>	
Project: <b>EmotiGlass Prototype</b>	Rev: 1.1
Designed By: David Prutchi, Jason Meyers	Date: 20180107
File: left front.SchDoc	Size: A
	Sheet 3 of 4



A3,A4,D0,D1 must be set as inputs when HW shutter drive is used



Liquid Crystal Shutter Drivers



This work is licensed under the Creative Commons Attribution-ShareAlike 4.0 International License. To view a copy of this license, visit <http://creativecommons.org/licenses/by-sa/4.0/>.

Title: <b>Right Side Development PCB</b>	
Project: <b>EmotiGlass Prototype</b>	Rev: 1.2
Designed By: David Prutchi, Jason Meyers	Date: 20181016
File: right side dev.SchDoc	Size: A
	Sheet 4 of 4